

# Low Pressure Line Regulators

## 4403 Series

### Application

The 4403 series regulators provide very sensitive control of a variety of gases at low pressures. The large molded diaphragm assures responsive regulation with inlet pressures up to 250 psig.

### Features

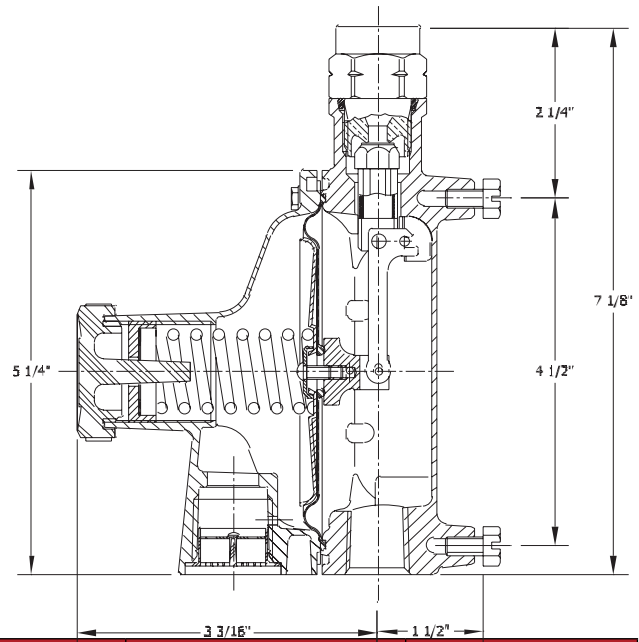
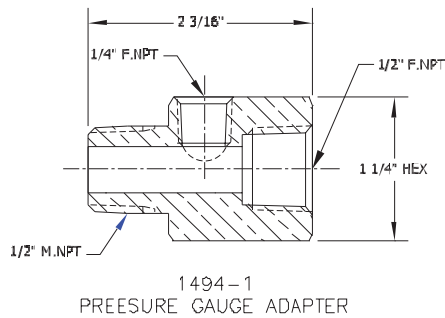
- Large molded diaphragm provides highly sensitive and accurate low pressure control
- Zinc body and bonnet resist corrosion and provide longer life
- Teflon seat disc, teflon faced diaphragms, and stainless steel nozzles make the T4403J regulators compatible with a variety of gases
- LV4403C2H42 features integral relief valve set at 3 psig (0.2 barg)
- Adjusting screw is concealed by a plastic cap which helps prevent pressure adjustments by unauthorized personnel
- Pressure gauge adapter available part # 1494-1
- Working temperature range is -40°F to +165°F. (-40°C to +74°C)
- Not suitable for oxygen applications



**LV4403C2H42**

### Materials

Body .....	Zinc
Bonnet .....	Zinc
Diaphragm.....	T4403J, 4403W, S4, T4, U4 Teflon Faced Buna N
4403WP4, R4.....	Buna N
(LV4403C).....	Integrated Fabric and Synthetic Rubber
Spring .....	Steel
Seat (T4403J).....	PTFE
(4403W) (LV4403C).....	Buna N
Nozzle (T4403J).....	Stainless Steel
(4403W, LV4403C).....	Brass



### Ordering Information

Part Number	Inlet Connection		Outlet Connection		Factory Delivery Pressure*	Delivery Adjustment Range	Relief Setting
	Inches	mm	Inches	mm			
4403W-P4	1/2" F.NPT	13	1/2" F.NPT	13	5" w.c.	3.5 - 6" w.c.	None
4403W-R4					25" w.c.	15 - 28" w.c.	
4403W-S4					5 psig (0.34 barg)	1-5 psig (0.07-0.34 barg)	
4403W-T4					10 psig (0.69 barg)	5-10 psig (0.34-0.69 barg)	
4403W-U4					15 psig (1.03 barg)	10-15 psig (0.69-1.03 barg)	
LV4403C2H42	1/4" F.NPT	6	1/2" F.NPT	13	1.5 psig (0.1 barg)	1.5 psig (0.1 barg)	3 psig (0.21 barg) ± 20%
T4403JS2					5 psig (0.34 barg)	1-5 psig (0.07-0.34 barg)	None
T4403JT2					10 psig (0.69 barg)	5-10 psig (0.34-0.69 barg)	

\* Based on 50 psig inlet pressure. LV4403C2H42 based on 100 psig inlet pressure.