

# Inertrol Outfits

## 4286 Series, 4289 Series & 4291 Series

REGO  
**10**  
YEAR  
WARRANTY

### Application

The 4286, 4289, and 4291 series Inertrol outfits are three stage nitrogen regulators especially designed to maintain oil filled transformer atmospheres at 0.5 psig (.03 barg). Each Inertrol outfit consists of a two-stage regulator connected in series to a highly sensitive single-stage regulator which maintains the 0.5 psig (.03 barg) pressure. A built-in pressure relief valve in the third stage regulator helps protect against over-pressurization of the system. Inertrol units are designed for oil-filled transformers manufactured by ABB, Inc., General Electric, and Cooper Power. Some outfits are equipped with an alarm switch that activates a customer equipped warning device should the cylinder pressure drop below 300 psig (20 barg).

### Features

- Heavy duty brass and aluminum construction resists corrosion and provides for longer life
- The 4289 series incorporates a special by-pass valve to allow for quick filling of the transformer
- Hidden pressure adjusting screw helps protect against tampering by unauthorized personnel
- Large diameter diaphragm in the third-stage regulator provides for sensitive and precise control of the gas flow
- Maximum inlet pressure - 3000 psig (206 barg)

### Materials

#### Two-Stage Regulator:

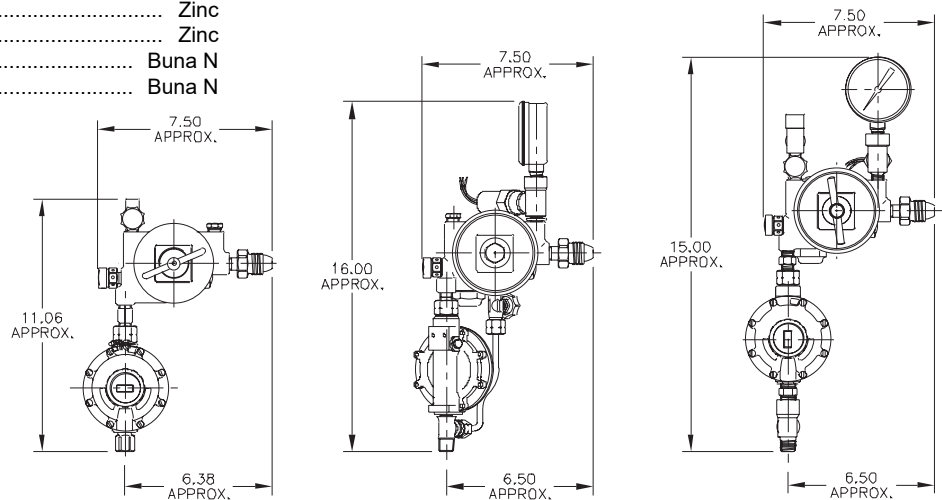
Body ..... Brass  
 Bonnet ..... Brass  
 Diaphragms ..... Synthetic Rubber  
 1st Stage Seat Disc ..... Nylon  
 2nd Stage Seat Disc ..... Neoprene

#### Third-Stage Regulator:

Body ..... Zinc  
 Bonnet ..... Zinc  
 Diaphragm ..... Buna N  
 Seat Disc ..... Buna N



**Inertrol Outfit**



### Ordering Information

4286A580

4289 Series

4291A

Part Number	Gas Service	Inlet	Outlet		Two Stage Regulator Part number	Third Stage Regulator Part Number	Alarm Gauge	Transformer Manufacturer
			Inches	mm				
4286A580	Nitrogen	CGA580	1/8" NPT	3	4286A-2NW	LV4286-10-8	None	ABB, Inc.
4289AG			9/16" -18 L.H.	14	4289A-2G	LV4289-10	4285-9B	General Electric
4289G							None	
4291A			3/8" NPT	.9	4291B-2P	LV4286-10-8	4285-9B	Cooper Power