

Cryogenic Gas Relief Valves, ASME B-19434B Series

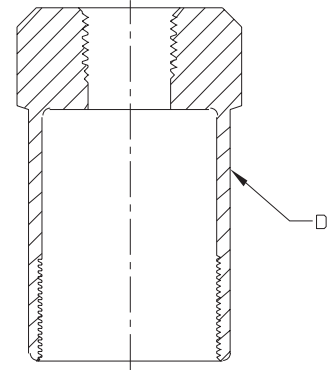


Application

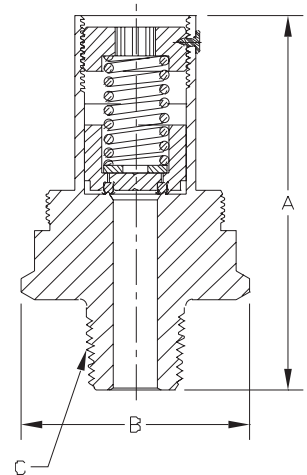
The B-19434B Series relief valves are suitable for use with oxygen and non corrosive industrial gases, such as nitrogen, argon and helium.

Features

- The B-19434B design permits the valve to open slightly to relieve moderately excessive pressure
- When the pressure increases beyond a predetermined point, the valve opens to its full discharge capacity in order to quickly reduce excess pressure
- Pipe-away adapter for venting gas to the outdoors is available (Sold Separately)
- ASME rated, certified
- Cleaned for use in oxygen service per CGA G-4.1
- Bubble tight at 95% of set pressure
- Full flow at 110% of set pressure
- Setpoint tolerance is $\pm 3\%$ of the set pressure or ± 2 psig whichever is greater
- Rated for gas service only
- 100% factory tested
- Temperature range: -60° to 165° F (-51° - 74° C)



B-19434B Series



Materials

Body	Brass
Spring	Stainless Steel
Seat Retainer.....	Brass
Seat Disc (B-19434B Series).....	Silicone
Pipe-Away Adapter	Brass

WARNING: Inspection and maintenance of pressure relief valves is very important. Failure to properly inspect and maintain pressure relief valves could result in personal injuries or property damage. The useful safe service life of a pressure relief valve may be significantly affected by the service environment.

Ordering Information

Part Number	Pressure Setting	ASME Relief Capacity (CFM/Air)	Height A Inches (mm)	Width B Inches (mm)	Inlet Connection (M.NPT) C Inches (mm)	Pipe-Away Adapter Part Number D
B-19434B235	235 psig (16.2 barg)	476	2 ¹⁵ / ₁₆ " (74.67)	1 ³ / ₄ " (44.45)	1/2" (12.7)	*B-19434-5 1/2" F.NPT Outlet (12.70 mm)
B-19434B250	250 psig (17.2 barg)	505				
B-19434B300	300 psig (20.7 barg)	601				
B-19434B350	350 psig (24.1 barg)	711				
B-19434B375	375 psig (25.9 barg)	760				

* Pipe Away Adapter is sold separately.

** Contact factory for additional settings.