

Low Emission ACME Connector For Transports and Bobtails 6588LE & 6589LE

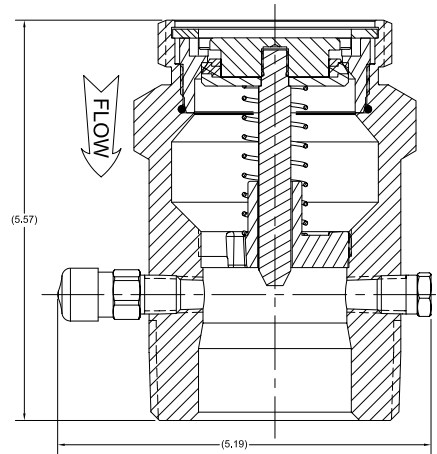
Application

Designed to provide fast filling of bobtails, transports and large bulk storage tanks while providing for low emission of LPG when disconnecting.

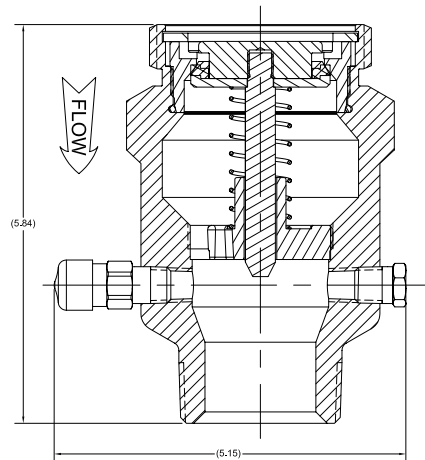


Features

- 3/4" Male Acme Connector with reduced emissions, 90% less than current RegO ACME adapters.
- 10.5 cubic centimeters of liquid discharged at disconnect
- UL Listed as a Filler Valve.
- Safety groove is designed to shear below ACME threads leaving the valve seat closed and unaffected if the vehicle pulls away with the hose connected.
- Seat disc is made of synthetic composition and is mechanically held in place by a seat disc retainer.
- Stainless Steel return spring.
- One- piece poppet stem for smooth operation.
- Will connect to any standard female 3/4" ACME adapter.
- Hydrostatic relief valve included (3125L).



6588 Series



Materials

Upper Body.....	Brass
Lower Body.....	Brass
Poppet & Stem Assembly.....	Brass
Spring.....	Stainless Steel
Gasket.....	Resilient Synthetic Rubber
Seat Disc.....	Resilient Synthetic Rubber



Ordering Information

Part Number	ACME Connection	Outlet Connection M.NPT	Wrench Flats	Hydrostatic Relief Valve	Propane Capacity at Various Differential Pressures (GPM)		
					5 PSIG	10 PSIG	25 PSIG
6588LE	3/4"	2"	3 1/2"	3125L	138	223	349
6589LE	3/4"	3"		3125L			