

# 3" Flanged Internal Valves for Bobtail Delivery Trucks, Transports, and Large Stationary Storage Tanks

## A3217ARPA and A3217ALPA Pneumatic Actuators

These Pneumatic Actuators are designed specifically for use with the A3217 Series 3" Internal Valves. The diaphragm design provides a convenient means of opening and closing the valve from a remote location, using either air or nitrogen.

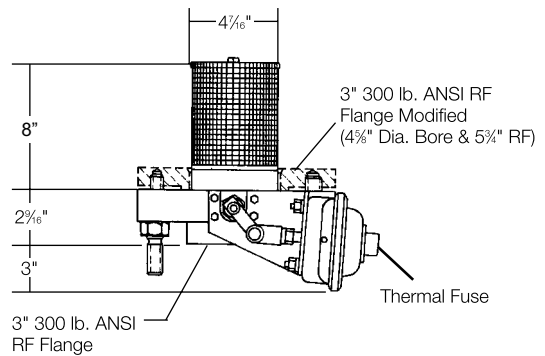
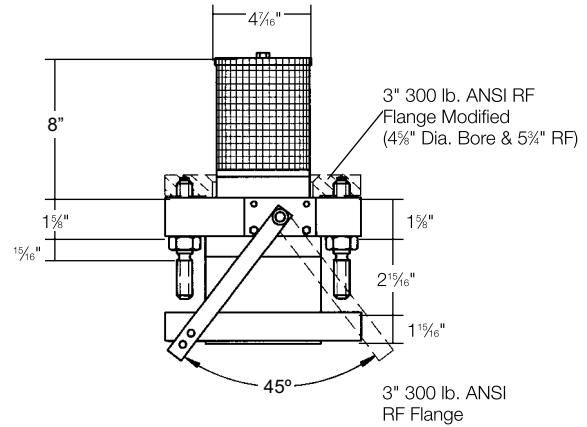


### Features

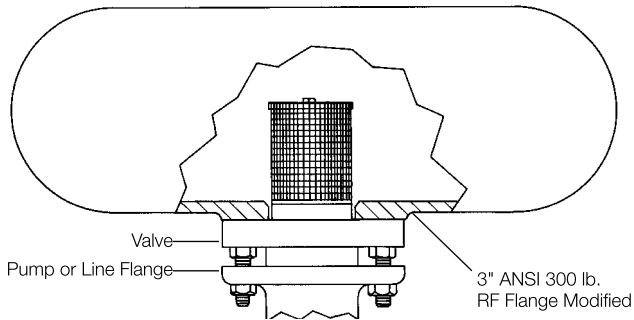
- Diaphragm type—no seals to leak.
- Easily installed on internal valve "in-line."
- Utilizes standard air brake chamber with proven performance over many years of heavy-duty truck/trailer applications.
- Compatible with existing air interlock systems.
- Operates with pressures of 50-150 psig.
- Thermal Fuse installed complies with DOT thermal protection requirements.

### Materials

Body and Valve Cage .....	Cadmium Plated Ductile Iron
Seat .....	Nickel Chrome Plated Steel
Strainer .....	Stainless Steel
Shaft .....	Stainless Steel
Pilot Valve Stem .....	Stainless Steel
Springs .....	Stainless Steel
Actuator Cam.....	Stainless Steel
Lever.....	Cadmium Plated Carbon Steel
Seat Disc .....	Resilient Synthetic Rubber



Typical Valve Installation



A3217A & FA Series

