

ASME Multivalves® for Vapor Withdrawal 8593AL

Application

These Multivalves® provide vapor withdrawal and filling of ASME containers. A separate pressure relief valve is required in addition to this valve. The MultiBonnet® assembly is standard on this valve.



Features

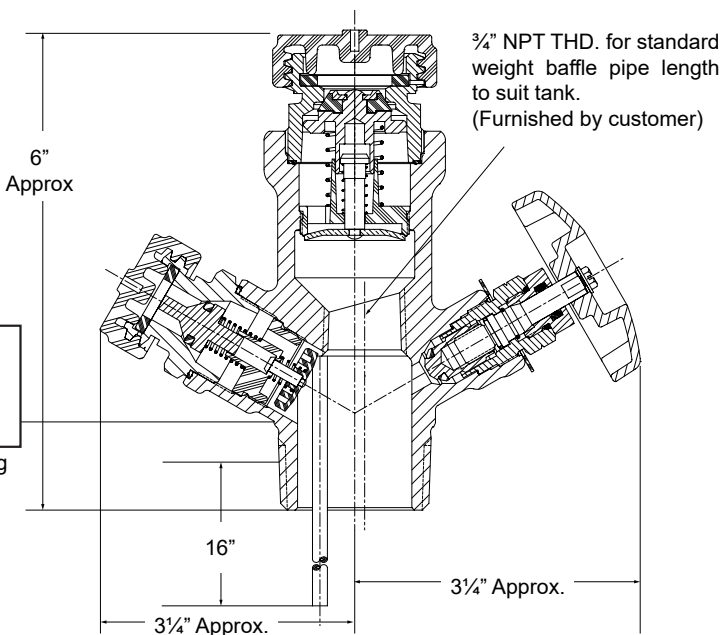
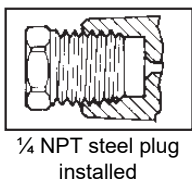
- Combines low emission double back check filler valve, vapor equalizing valve, service valve, fixed liquid level and a plugged pressure gauge opening.
- Double back check filler valve is low emission, 2.13cc at disconnection with no reduction in fill rates.
- Includes plugged, 1/4" F. NPT gauge boss.
- "Y" shape configuration allows for ease of operation with all valves and gauges easily accessible at all times.
- Large 2 1/16" hex wrenching boss on center column provides ease of installation in tank coupling.
- MultiBonnet® assembly allows quick and easy repair of bonnet.



8593AL

Materials

Body	Forged Brass
Handwheel.....	Aluminum Die Cast
Valve Stem	Brass
O-Ring	Resilient Rubber
Seat Disc (shut-off valve)	Nylon
Seat Discs (other).....	Resilient Rubber



Liquid Filling Rates

Part Number	Approximate Filling Rate Liquid Flow, GPM			
	Pressure Drop Across Valve			
	10 PSIG	25 PSIG	50 PSIG	100 PSIG
8593AL16.0	42	72	98	125

Ordering Information

Part Number	Container Connection	Service Connection	Filling Connection	Vapor Equalizing Connection		Fixed Liquid Level Vent Valve Style	Dip Tube Length	For Use In Containers w/ Surface Area Up To:
				Connection Size	UL Listed Closing Flow			
8593AL16.0	1 1/2" M. NPT	F. POL (CGA 510)	1 1/4" M. ACME	1 1/4" M. ACME	4200 CFH at 100 PSIG	Knurled	16"*	**

*Dip tube not installed, may be cut by customer to desired length.

**Since these Multivalves® have no integral pressure relief valves, they can be used on any ASME container with an independent relief device sufficient for that tank's capacity.